

Part Number	500-600W (White/12VDC)	CE
Description	Access Control Touch Switch (12V) with Timer and Indicators	
Reference	Installation Guidelines – T2/ASW/Install/16-06-07/V2	

Introduction

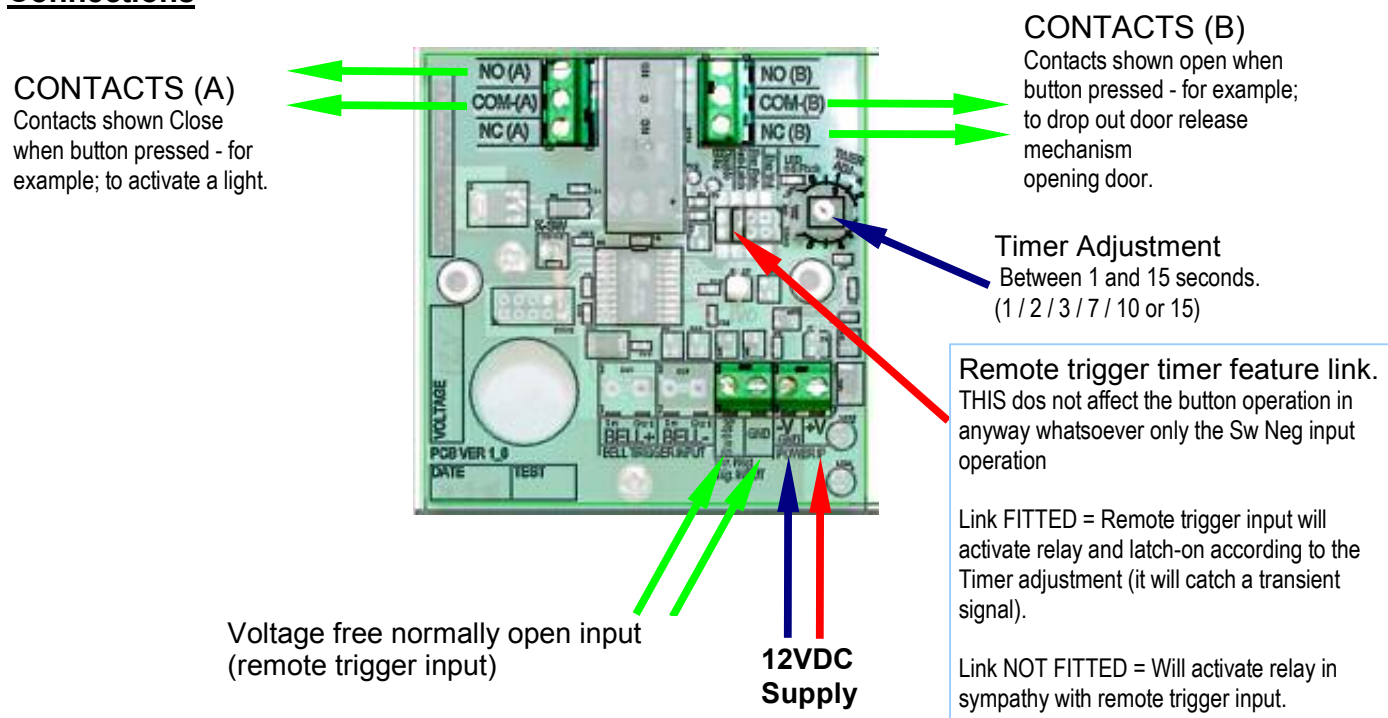
- ❖ This product is an access control touch switch with built in latch-on timer facility. The output is provided by two changeover contacts (250VAC 8A).
- ❖ The lock status is indicated by means of two LEDs.
- ❖ Also provided are **remote trigger terminals**. These allow easy connection to a fire system alarm output or any **standard normally open push button**.
- ❖ The form factor is that of a standard UK single gang type. The unit is supplied with a low profile FR ABS backbox backbox.
- ❖ This product requires a 12VDC power source.



General Installation

The unit is generally installed on the inside of the building near the exit/entry door, and usually a (normally open contact) push button or possibly a security switch is placed on the outside of the building and connected to this unit via the remote trigger input terminals. The timer is adjusted to allow staff to open the door before it re-locks its self.

Connections



Technical Data



Working Voltage :	9 to 16VDC	
Current Consumption:	7mA(off), 36mA(on)	Timer Range (6 settings) 1S, 2S, 3S, 7S, 10S and 15S
Switch Contact Rating:	DPCO 250VAC 8A	
Enclosure Material	FR ABS	Housing Size: Single gang: W.86 x L.86 x H.60 mm