

Part Number	500 - 410 (T2-MINI red body and lens) 500 - 415 (T2-MINI white body with red lens) 500 - 420 (White Body/Clear lens & Text)	CE
Description	<b>Fire System Strobe Sounder (24V dc)</b>	
Reference	Installation Guidelines – T2/SS24R/install/18-06-06	

## T2 -MINI Overview

- Low Profile Strobe Sounder for use in 24V fire alarm systems.
- The unit will fit any UK single gang back box or flush plasterboard box.
- 4 Tones, 6 Candela Strobe, 98dB(A) Output, 16.5mA current
- Adjustable volume [0 - 98dB(A)]. Lightweight easy fit enclosure

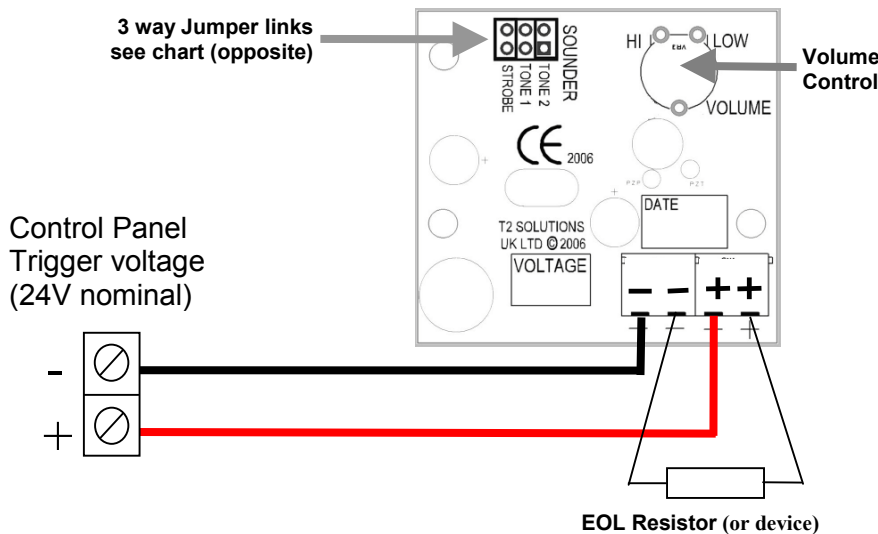


## General Installation

Fix by using two screws (supplied). It must be mounted on a suitable single gang back box (a matching red backbox is available). Please adhere to the latest fire regulations regarding positions and volume levels. The volume is adjustable by means of the onboard potentiometer. Four Tones are available and the strobe light can also be inhibited by means of the 3 way jumper link.

## PCB Connections

This application shows how to connect the sounder to a fire system bell circuit.



## JUMPER CHART

Tone 1	ON	UK Fire (Alert)
Tone 2	ON	970Hz/1sec. Silence 1sec.
Strobe	ON	
Tone 1	Off	Security
Tone 2	ON	Fast Sweep
Strobe	ON	
Tone 1	ON	French Fire
Tone 2	Off	550Hz 0.1s/440Hz 0.4s
Strobe	ON	
Tone 1	Off	UK Fire
Tone 2	Off	970Hz 0.25s/800Hz 0.25s
Strobe	ON	
Tone 1	Don't care	(see above for
Tone 2	Don't care	tones)
Strobe	ON	<b>STROBE ON</b>

## Technical Data

Input Voltage:	10 to 32VDC	Dimensions:	W.87mm x L.87mm x H.38mm
Temperature Range:	-20 to +70°C	Material	FR ABS
Operational Current:	UK 2 tone Av. <b>16.5mA @ 24VDC</b> UK 2 tone Av. <b>10mA @ 12VDC</b>	Tones	1. UK Fire 970Hz/1sec., Silence 1sec. 2. Security (Fast sweep) 3. French Fire 550Hz 0.1s/440Hz 0.4s 4. UK Fire 970Hz 0.25s/800Hz 0.25s
Sound Output:	@24V [UK 2 tone] <b>98dB(A)</b> @12V [UK 2 tone] <b>92dB(A)</b>	Strobe	one Hertz