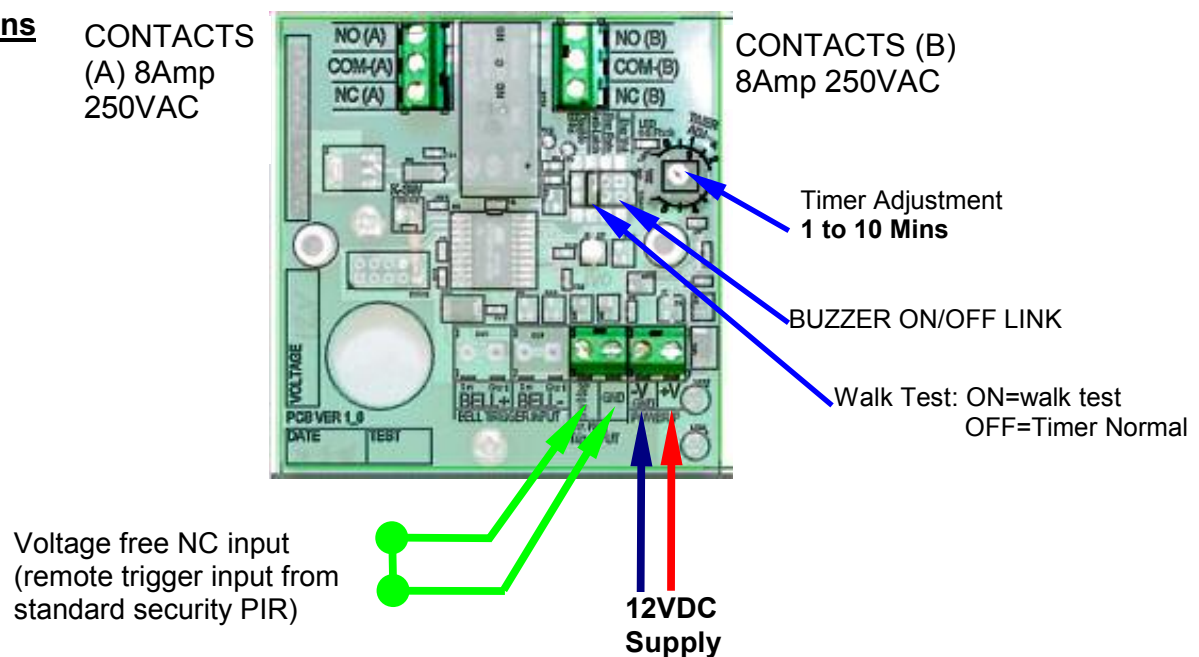


Part Number(s)	500-220 (White/12VDC)	CE
Description	LIGHT TIMER interface (12V) with Indicator/Buzzer	
Reference	Installation Guidelines – T2/500_220/Install/11-07-07	

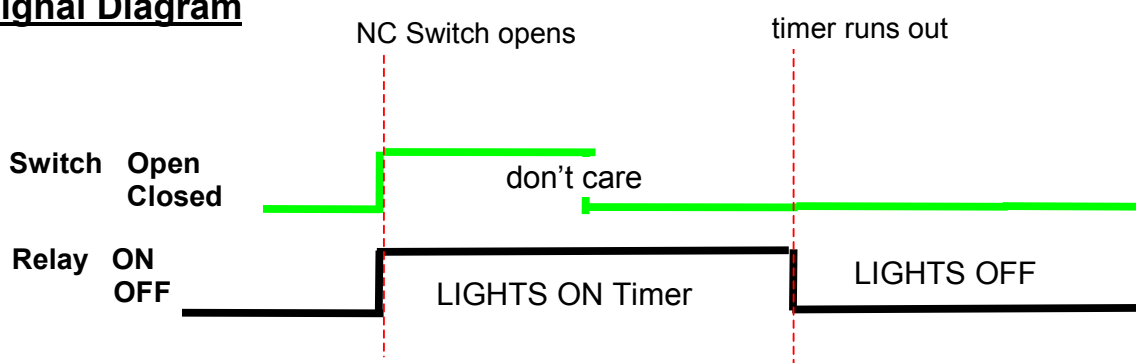
Introduction

- ❖ This product is an interface between a PIR(s) and Flood Lighting for access and security.
- ❖ The contact status is indicated by means of one RED LED.
- ❖ The input requires a clean contact trigger input. The unit detects an opening switch (usually a security PIR).
- ❖ The form factor is that of a standard UK single gang type. The unit is supplied with a suitable backbox.
- ❖ In walk test mode the timer is shortened to 5 seconds

Connections



Signal Diagram



Technical Data



Working Voltage :	9 to 16VDC	Timer Range	1,2,4,6,8,10minutes (pot adjusted)
Current Consumption:	7mA(off), 36mA(on)	Operating Indicator	RED LED
Switch Contact Rating:	DPCO 250VAC 8A	Trigger Indicator	Buzzer (can be silenced)
Enclosure Material	FR ABS	Housing Size:	Single gang: W.86 x L.86 x H.60 mm