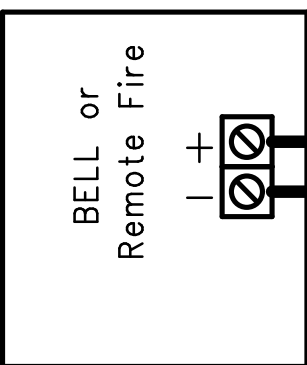
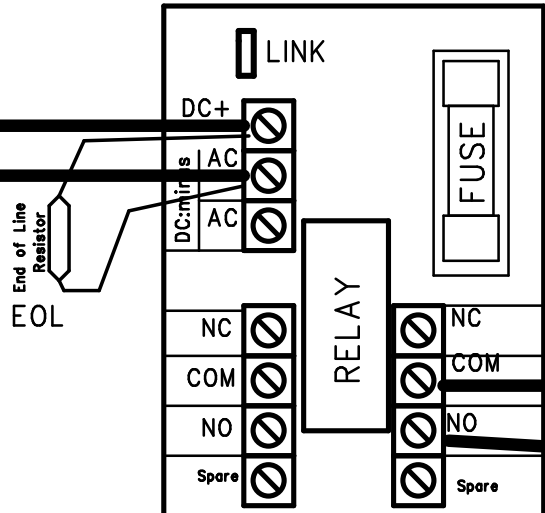


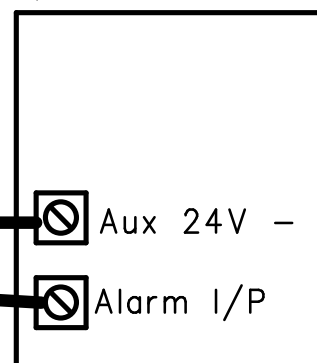
Panel - A
(Fire Panel)



RELAY PCB



Panel - B
(TWINFLEX Fire Panel)



Conventional to TWINFLEX Fire Panel Interlink

Note: another relay is RQD. for panel-B to trigger panel-A