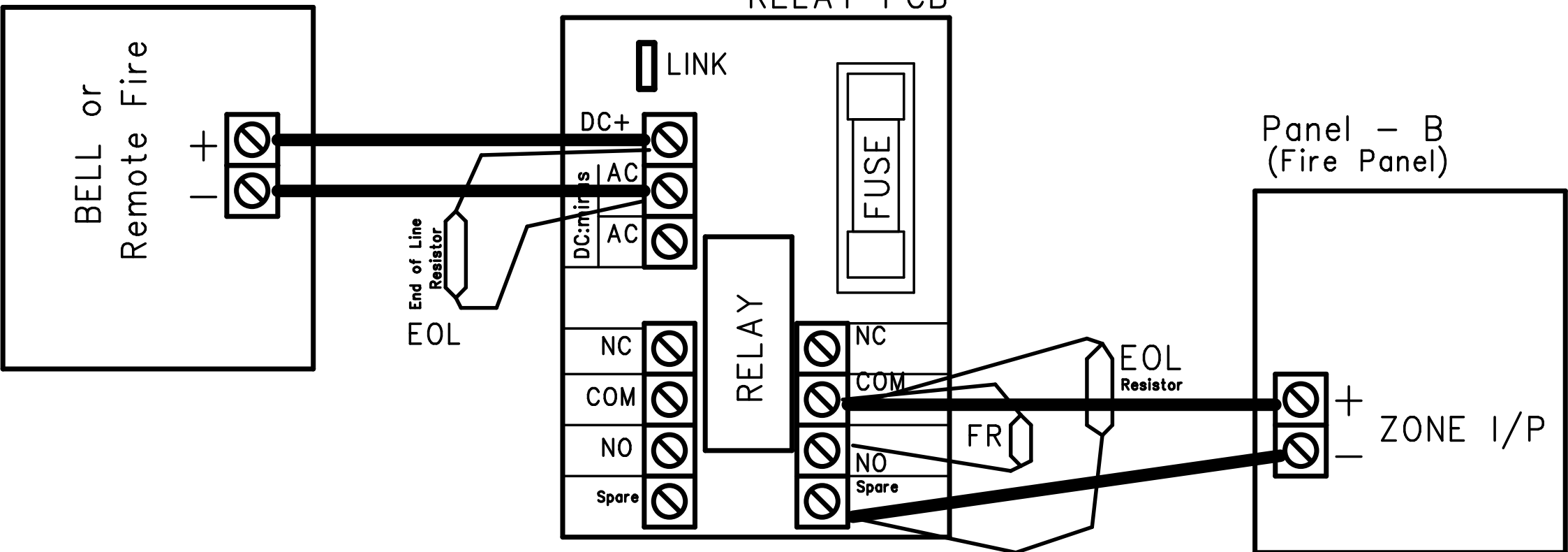


Panel - A
(Fire Panel)



Conventional Fire Panel Interlink

Remove 'LINK' to stop latch-up

Note: another relay is RQD. for panel-B to trigger panel-A