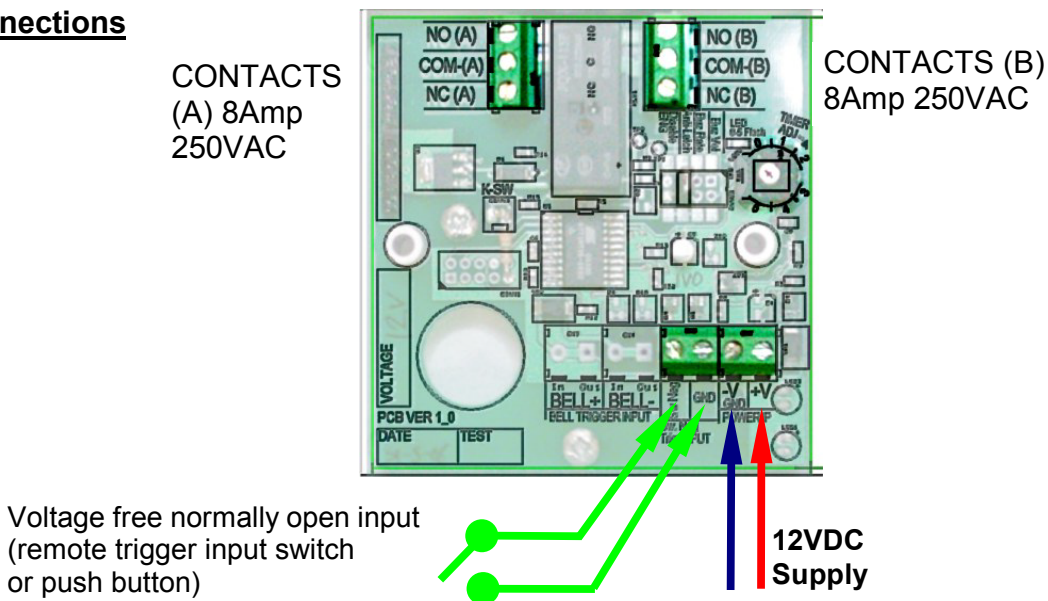


Part Number(s)	500-210 (White/12VDC)	CE
Description	Gate Access interface (12V) with Indicators	
Reference	Installation Guidelines – T2/GIS/Install/11-07-07	

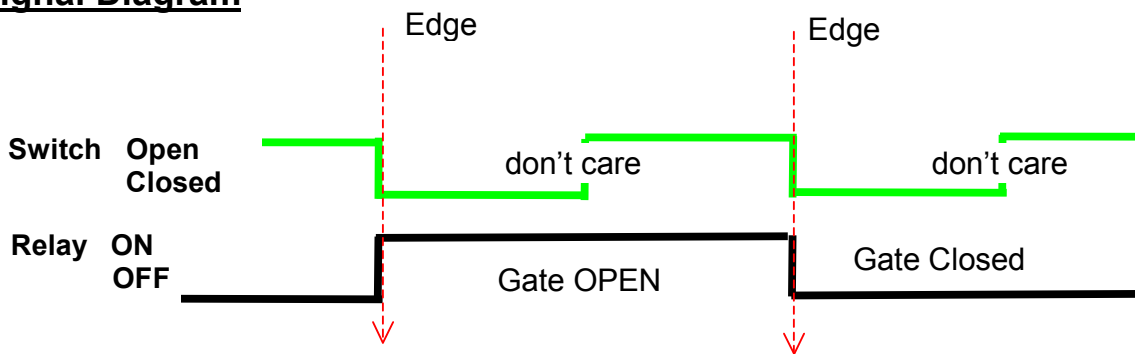
**Introduction**

- ❖ This product is an interface between a switch and gate electronics for driveway access control systems.
- ❖ The lock status is indicated by means of two LEDs (RED 'OPEN' relay coil ON, and YELLOW 'Closed' relay coil OFF).
- ❖ The input requires a clean contact trigger input. The unit is edge sensitive - see **Signal diagram** below.
- ❖ The form factor is that of a standard UK single gang type. The unit is supplied with a suitable backbox.

**Connections**



**Signal Diagram**



Technical Data		CE
Working Voltage :	9 to 16VDC	
Current Consumption:	7mA(off), 36mA(on)	
Switch Contact Rating:	DPCO 250VAC 8A	
Enclosure Material	FR ABS	Housing Size: Single gang: W.86 x L.86 x H.60 mm