

Part Number	500 - 400 (White, Clear lens/red LED) 500 - 400EXT (Weather proof version)	CE
Description	Disabled Alarm System Strobe Sounder	
Reference	Installation Guidelines – T2/DAS/install/24-08-06	

Product Overview

- Strobe Sounder for use in Disabled/call alarm systems.
- Enclosure pre-printed with alarm text and disabled symbol
- 4 Tones, 6 Candela Strobe, sound output 88dB(A) @1m (adjustable)
- Includes 2 special subdued tones for annoyance reduction (Sound 3 & 4)

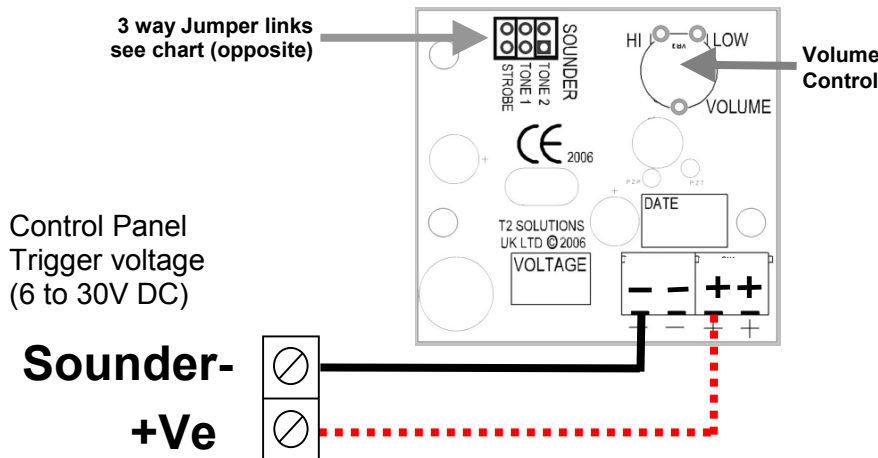


General Installation

Mount on a single gang back box (supplied) or plasterboard flush box. The unit is normally mounted above the disabled toilet door and also possibly near a responsible person. Wiring in security alarm multi-core cable is acceptable. The volume is adjustable by means of the onboard potentiometer. Four Tones are available and the strobe can be inhibited by means of the jumper link.

PCB Connections

This application shows how to connect one sounder to a typical alarm panel.



JUMPER CHART

Tone 1	Off	Sound 1
Tone 2	Off	420Hz 1/2s, 1/2s silent
Strobe	Off	
Tone 1	ON	Sound 2
Tone 2	Off	770Hz 1/4s, 1/2s silent
Strobe	Off	
Tone 1	Off	Sound 3
Tone 2	ON	770Hz 1/4s, 5.3s silent
Strobe	Off	
Tone 1	ON	Sound 4
Tone 2	ON	420Hz 1/2s, 5.3s silent
Strobe	Off	
Tone 1	Don't care (see above for	
Tone 2	Don't care tones)	
Strobe	ON	STROBE ON

Technical Data

Input Voltage:	6 to 30VDC Unit will crash @ 4.6VDC	Dimensions:	W.87mm x L.87mm H.38mm Plasterboard, 48mm Backbox
Temperature Range:	-20 to +70°C	Material	FR ABS Box and Polycarbonate Lens
Operational Current:	5mA, 8V, Tone 1, Strobe ON	Sound Type	1. 420Hz 1/2s, 1/2s silent (LED 1s pulse)
	5.8mA, 9V, Tone 1, Strobe ON		2. 770Hz 1/4s, 1/2s silent (LED 3/4s pulse)
	17.5mA, 20V, Tone 1, Strobe ON		3. 770Hz 1/4s, 5.3s silent (LED 1/2s pulse)
Sound Output:	Sound 1, 8V, 84dB(A) @1M		4. 420Hz 1/2s, 5.3s silent (LED 1/2s pulse)
	Sound 1, 20V, 88dB(A) @1M	Strobe	LED Type